

IBC 2606

6U **CompactPCI®** Pentium® III/Celeron Board w/ VGA/Dual LAN



Ordering Information

IBC 2606-850

850 MHz Pentium® III/Celeron Blade with VGA, USB, dual LAN 1 PCI-PCI bridge

IBC 2606-1000

1 GHz Pentium® III/Celeron Blade with VGA, USB, dual LAN 1 PCI-PCI bridge

IBC2706-RIO

Rear I/O Transition Board with Dual LAN, USB, Dual COMs, VGA and KB/Mouse.



IBC2706

Memory Options

SDM-64MB	64MB RAM
SDM-128MB	128MB RAM
SDM-256MB	256MB RAM
SDM-512MB	512MB RAM

Specifications

Microprocessor

- Single Pentium III processor at speed up to 1GHz
- Single Celeron processor at speed up to 733 MHz
- Support future Intel speed upgrades

Cache

- 256KB L2 Cache for Pentium III
- 128KB L2 Cache for Celeron

Chipset

- Intel 440BX
- 66/100 MHz FSB

Memory

- Up to 512MB PC-100 SDRAM with ECC
- Two 144-pin SO-DIMM sockets

CompactPCI Bus Master

- 32-bit/33MHz PCI Bus interface
- Intel 21150 PCI-to-PCI bridge

BIOS

- Award BIOS 2MB Flash

Dual Ethernet Interfaces

- Two Intel 82559 10/100 Base-Tx fast Ethernet controllers
- Two RJ-45 connectors: both front and rear

Video Interface

- Intel C&T 69000 (AGP) Video controller
- 2MB on-chip VRAM

EIDE Interfaces

- Two high speed IDE channels with ultra DMA/33 mode
- Connect up to four IDE devices via RIO board

USB port

- One USB 1.0 port
- Both front and rear accessible

Operating System Support

- Windows 2000/NT/XP
- Red Hat Linux

Standard Features

- Floppy drive interface
- Two high speed serial ports
- PS/2 mouse/keyboard interface
- Programmable watchdog timer

Power requirement

Typical (Pentium III, 850 MHz)

- (+5 V, 2.1 A) (+3.3 V, 2.5 A) (+12 V, 640 mA)

Mechanicals

- 1-Slot (4HP) x 6U **CompactPCI®** Compliant
- Dimensions 233.35 x 160 mm
- Weight 0.8 Kg (1.8 lb)

Operating Environment

- Operating temperature: 0 ~ 55 degree C
- Storage temperature: -40 ~ 60 degree C
- Humidity : 95 % @ 60 °C non-condensing Non-op
- Vibration (5-500 Hz) : 1.0 Grms (Operating)
2.0 Grms (Non-operating)
- Cooling ; Passive heat sink



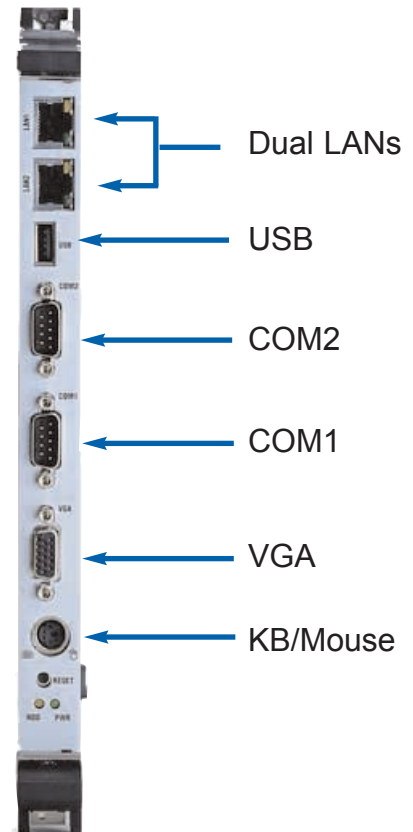
IBC 2606

6U **CompactPCI®** Pentium® III/Celeron Board w/ VGA/Dual LAN

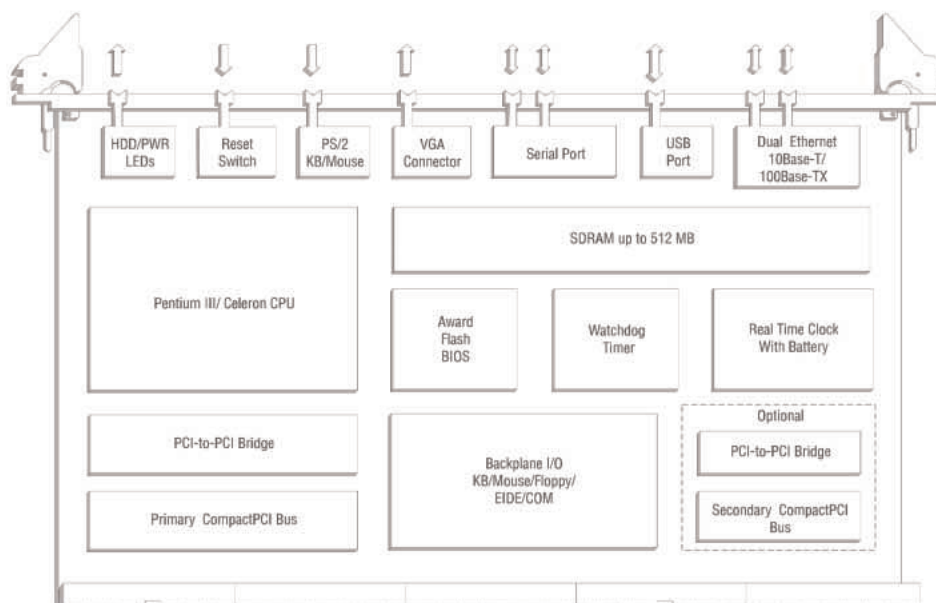
The IBC-2606 is a CompactPCI system controller with the Intel Pentium III/Celeron processor CPU on board compliant to PICMG 2.0, R3.0 CompactPCI specification. Together with I-Bus award-winning system chassis, it is an ideal platform for applications such as third-generation (3G) wireless, voice over internet protocol (VoIP), networking image processing, and other telecom/data communication applications.

The IBC-2606 architecture meets customer's high performance requirements for both CPU's and I/O's. The new IBC-2606 has been optimized for the Intel Pentium III/Celeron processor and Intel 440BX chipset. It represents the next step in high performance cPCI platforms, delivering high performance with a micro architecture which includes 256KB L2 Cache for the Pentium III (128KB for the Celeron) and PC-100 SDRAM memory with ECC up to 512MB.

On-board I/Os on the front panel provides dual 10/100 Mbps Ethernets ports, USB 1.0 port, dual high speed serial ports, VGA video interface, and PS/2 mouse/keyboard interfaces.



IBC2606 Functional Block Diagram



■ For Further Information



Worldwide Headquarters

I-Bus Corporation
 3350 Scott Blvd, Building 54
 Santa Clara, CA 95054
 United States
 Phone : +1 (408) 450-7880
 Fax : +1 (408) 450-7881
Toll Free: 877-777-IBUS
 Email: contact.us@ibus.com

European Headquarters

I-Bus UK Ltd
 Unit 6, Chichester Business Park
 City Fields Way, Tangmere
 West Sussex, PO20 2LB, UK
 Tel: +44 (0) 1243 756300
 Fax: +44 (0) 1243 756301
 Email: contact.uk@ibus.com

France, Italy

I-Bus France
 B.P 45 Valbonne
 06901 Sophia Antipolis CEDEX
 France
 Tel: +33 (0) 493 004 360
 Fax: +33 (0) 493 004 369
 Email: contact.fr@ibus.com